

LOWEL® BLENDER® Fast, Intuitive LED Lighting

Available separately or in Kit Combinations



Compact & Powerful Color Mixing Lights & Kits. Match Your Location or Contrast it.

Put beautiful fill-light on your talent that's all tungsten, all daylight, or more importantly that perfect mix of the 2 that suddenly makes your shot look naturally lit. Lowel Blender® makes location lighting intuitive. Blender packs more punch than you've come to expect from compact LED lights. The lamphead's compact size (4 x 3 x 3") makes it small enough to fit on a pistol grip or compact light stand. Blender comes with a set of front diffusers for variable softening & diffusing of the blended output.



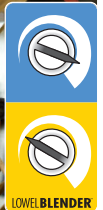
Tungsten



Daylight



Fluorescent



Lowel-Light Manufacturing, Inc.

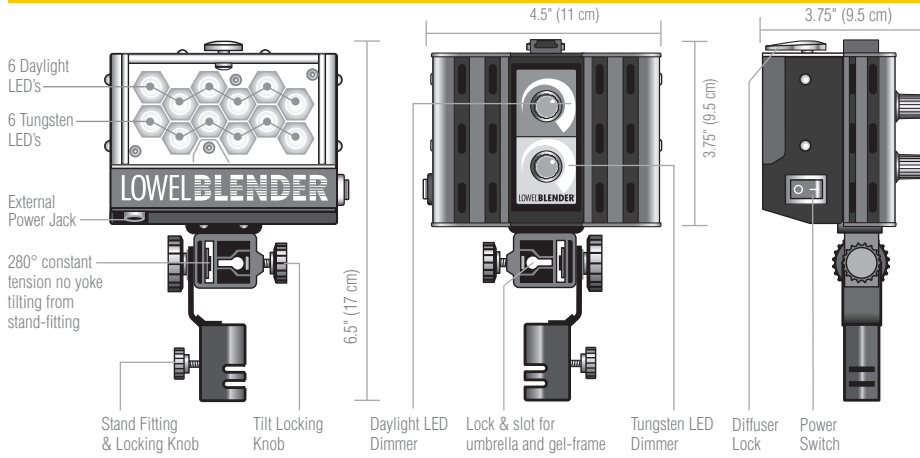
90 Oser Avenue,
Hauppauge, NY, 11788
Call: 800 645-2522
631 273-2500

www.lowel.com

Technology From Tiffen



LOWEL BLENDER®



Lowel Blender

Code: BLN-10
Lowel Blender with supplied front clear safety plastic, auto voltage-setting AC adaptor (BL-810, with 120v Edison & 240v Euro AC cord connections, plus locking stand clamp G5-80SP), & 3 accessory front diffusers.

Note: Blender has an updated 3 pin Mini-XLR power connector that will not accept original Blender AC supply or DC accessories. See below.

Weight less AC supply:

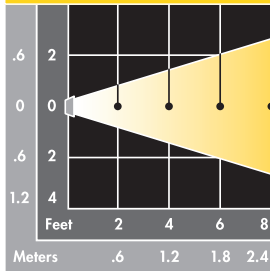
1.2 lbs. (550 g)
Max. amperage: 1.25 - 3, depending on input voltage
Wattage consumption: 16W
Beam control: Fixed focus LEDs with accessory diffusers to vary quality
Fits on: 5/8" (1.59 m) studs and accessories
Materials: primarily aluminum steel, & thermo plastic
Switch: in-head
Patent Pending

Performance – Light Output

Foot Candles (Lux = foot candles x 10.8)

	1	2	4	8
Full Day/Tung.	665	190	91	46
Full Daylight	403	113	54	28
Full Tungsten	280	79	38	19

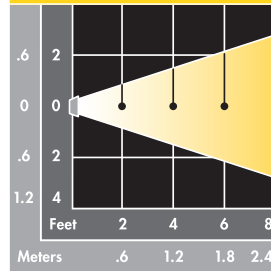
Without Diffuser



Foot Candles (Lux = foot candles x 10.8)

	1	2	4	8
Full Day/Tung.	383	103	48	26
Full Daylight	221	60	28	15
Full Tungsten	159	44	20	11

With Lite Frost Diffuser



Beam Angles:

points at which intensity drops to 50% of maximum.

Foot Candle readings taken with Minolta T-1 meter

Blender Kits



Blender 3 Light LED Kit

Code: BLN-9340LB
Weight: 17 lbs (7.7 kg)
3 Lowel Blenders as above (BLN-10), 3 Lowel Uni-stands (UN-33), 1 Slim Litebag (LB-24)

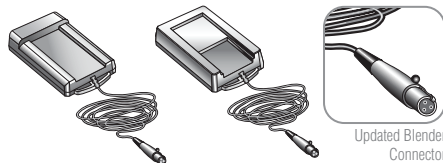
Blender 2 Light Kit

Code: BLN-9240LB
2 Lowel Blenders as above (BLN-10), 2 Lowel Uni-stand (UN-33), 1 Slim Litebag (LB-24)

Blender 1 Light Kit

Code: BLN-9140LB
1 Lowel Blender as above (BLN-10), 1 Lowel Uni-stand (UN-33), 1 Slim Litebag (LB-24)

DC Battery Options



There are accessory camcorder battery sleds to power Blender. Available singly, or in '3 sled packs' to drop into a kit. See the list below for your battery. There are also cables to connect Blender to industry standard battery sources below.

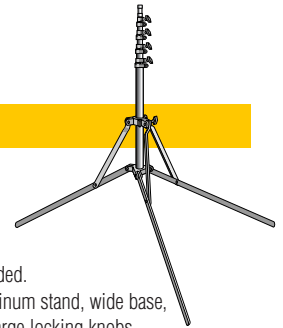
Note - mid 2014 & later Blenders have updated 3 pin mini-XLR power connectors that use the items listed below. For Battery Sleds & cables that fit original 2 pin Blender power connector, contact Lowel Customer Service: 800 645 2522

Code	Battery Sled Description
BSLD-2150	fits Sony BPU, Canon BP970 / 975
BSLD-2153	3-Pack of BSLD-2150 Sleds
BSLD-2160	fits Canon LP-E6, Nikon EN-EL3
BSLD-2163	3-Pack of BSLD-2160 Sleds
BSLD-2170	fits Sony L/M, Panasonic CGR-D
BSLD-2173	3-Pack of BSLD-2170 Sleds
Code	Accessory Battery Cables
BL-820	4-pin XLR Adaptor Cable, 5'
BL-823	3-Pack of BL-820 Cables
BL-830	Anton Bauer D-TAP Adaptor Cable, 5'
BL-833	3-Pack of BL-830 Cables
BL-850	Cigarette Plug Adaptor Cable, 5'
BL-853	3-Pack of BL-850 Cables

Mounts

Uni-stand

Code: UN-33
Weight: 2.4 lbs (1.1 kg)
Size: 21.5" (54.6 cm) folded.
Extends to 7'11" All aluminum stand, wide base, legs can lie flat to floor, large locking knobs. Folds compactly to fit in smaller kits.



Handle & Stud

Code: ViP-43I
For handheld Blender use.

Low-link

Code: ViP-37
Use with Cam-link for Blender camera-mount.

Stud-link

Code: ViP-38
5/8" (1.59 cm) stud with 1/4-20 screw.

Cam-link

Code: ViP-41
Fits camera hot shoe, for Low-link, L-link, or Stud-link.
Cam-link & Stud-link **Code: ViP-41S**
Cam-link & Low-link **Code: ViP-41L**

Kit Cases

Slim Litebag

Code: LB-24
Size: 23 x 9 x 6" (58 x 23 x 15 cm)
Weight: 3.5 lbs (1.6 kg)
New Litebag, more compact than Lowel Small Litebag (LB-30). Made of polyester with vinyl coated backing. Supplied with velcro partitions, and padded shoulder strap (SS-10).

