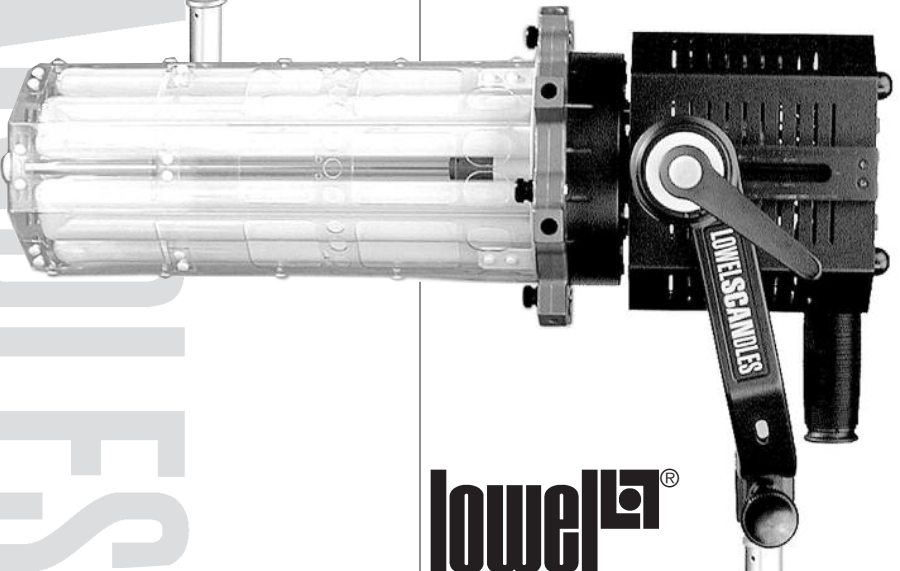


Warnings	2
Setup & Lamp Installation	3
Rear Panel	3
Mounting	4
Accessories	4-6
Warranty, Problems, Repairs & Information	7



lowel®

LOWELSCANDLES

Warnings

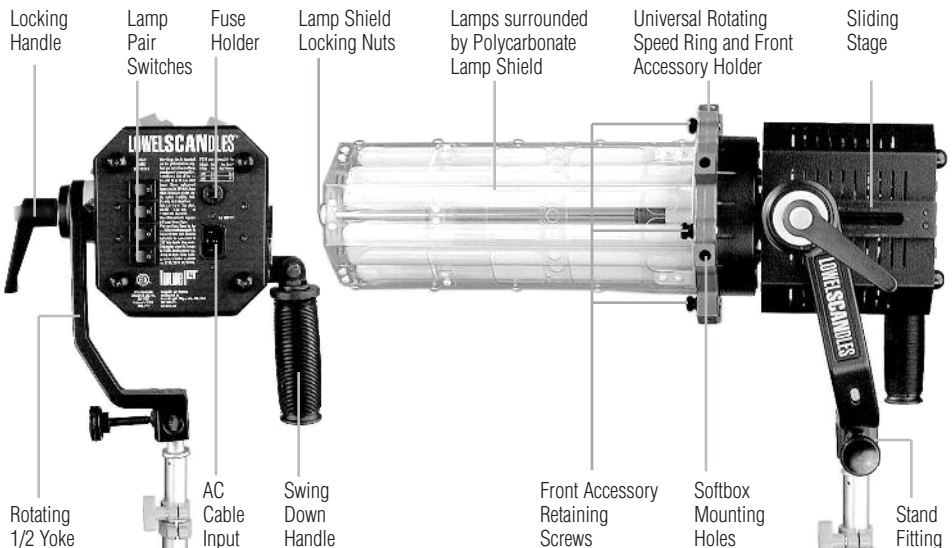
The LowelScandles™ fluorescent system is a professional lighting system. Read these instructions and lamp manufacturers warnings before operating.

- **Don't leave fixture unattended.**
- **Not for household use.**
Use only for photographic lighting (video & film imaging).
- **Do not exceed maximum rated wattage for unit.**
- **Use maximum 24 Watt lamps.**
- **Always unplug fixture** before relamping.
- **Always unplug unit before** changing fuse.
- **Make sure lamps are securely** seated in lamp socket.
- **Do not use near standing water.**
- **Do not open unit,** no user serviceable parts inside.

- **Internal ballasts produce** high start-up voltage.
- **Never bypass plug's** ground pin.
- **Do not interfere with unit's** ventilation.
- **Make sure clamp is tightened** at yoke.
- **Always use Safety Cables,** when attaching to overhead pipes or grids.
- **Do not attempt to open unit,** no user serviceable parts inside.
- **Always use with supplied** Lowel AC Cable.
- **Do not use the ballasts in** ambient [room] temperature greater than 105°F as this will void their warranty.
- **This is a portable location light,** It complies with UL 1573 for still photographic lights when used with the supplied T1-80 cable. For use as a portable stage lighting unit use with Lowel T1-808 10' unswitched cable rated for 'hard service'.

Fluorescent Warnings

- **Avoid looking directly at the** tubes for extended periods of time.
- **Make sure lamps are well** sealed.
- **Fluorescent tubes contain highly poisonous mercury.**
- **In the event of lamp breakage,** avoid contact with broken pieces, and dispose of properly.
- **Read lamp manufacturers** information fully.



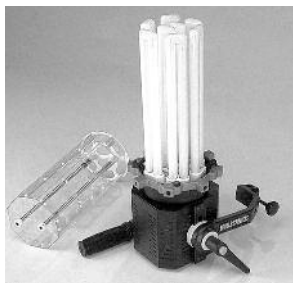
Setup & Lamp Installation

■ **Loosen the side yoke locking handle** so that the yoke can be easily positioned out of the way for the following procedure.

■ **Place the fixture on its 4** small support feet so that the sockets face up, making sure that the AC Cable is not connected.



■ **Gently snap the 8 fluorescent lamps** into the cluster of sockets on the front of the fixture. Start with the center lamps.

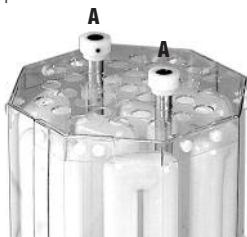


Note: The procedure is the same whether installing 12" or 8" lamps.

■ **Position the Polycarbonate Lamp Shield** over the installed lamps so that the holes in the metal plate end of the shield line up with the ends of the lamps.



■ **Gently slide the shield down** over the lamps until it completely covers the lamps. Carefully tighten the 2 nylon Locking Nuts **A** on the front of the shield. This tightens the threaded ends of the shafts at the fixture body to securely hold the shield and lamps in place.



■ The AC power cord attaches to the socket on the rear panel and contains a master power switch.

Lamp chart

Lowel Code	Wattage	Size	Description	Color temperature
LSF-24DA	24W	12"	Dulux L 24 W/12	5300°k (Daylight)
LSF-24TU	24W	12"	Dulux L 24 W/32	3000°k (Tungsten)
LSF-18DA	18W	8"	Dulux L 18 W/12	5300°k (Daylight)
LSF-18TU	18W	8"	Dulux L 18 W/32	3000°k (Tungsten)

Film Use

If using Scandles with conventional film, initial experiments suggest a minus 1/4 or 1/2 green filtration for film exposures.

Rear Panel

Lamp Switches

There are 4 lamp switches **A**, each controlling a pair of lamps. By turning one or more pairs of lamps off, you can vary the output of the light. Remember that there is also a master power switch in the supplied AC Cable.



Fuse Replacement

To open the fuse cover **B**, first make sure that power has been disconnected to the fixture. Use a small flathead screwdriver to remove and replace fuse if needed.

Fuse Use 5 x 20mm / 250V fuse

Voltage	Fuse	Max. Power
120 V	2.5 A	2.2 A
230 V	1.6 A	1.4 A

Mounting

Mounting on stand

■ Holding the fixture with lamps & shield installed, carefully position the stand fitting end of the yoke arm on the 5/8" stud of the stand.

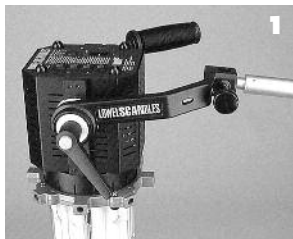
■ Tighten the locking arm to prevent the light from falling forward. Make sure to align one of the stand legs directly underneath the lamps for best stability. Add weights to the stand base for safety if needed.

■ Recommended Lowel Stands:

KS or larger for best stability, however Uni Sr., and KS Jr. can be used for more portability.

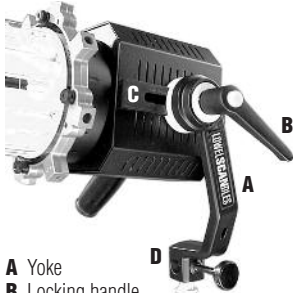
Mounting on boom

■ Rotate the yoke counter-clockwise to position it for attachment to a 5/8" stud on the end of a boom using either of the stand fitting holes. Experiment to find the position that best suits your purpose.



Mounting Yoke

The yoke of the LowelScandles light is designed to allow maximum versatility when mounting the fixture.

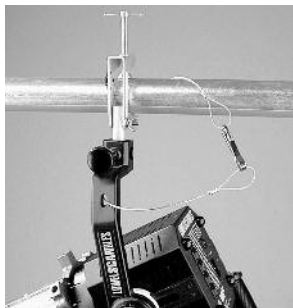


- A Yoke
- B Locking handle
- C Sliding stage adjustment
- D Stand fitting

■ The yoke can rotate approximately 300 degrees, and has 2 additional 5/8" stud mounting holes, allowing it to attach from different angles.

■ The yoke arm also has a hole for attaching safety cables which must be used whenever hanging the fixture from boom or rail.

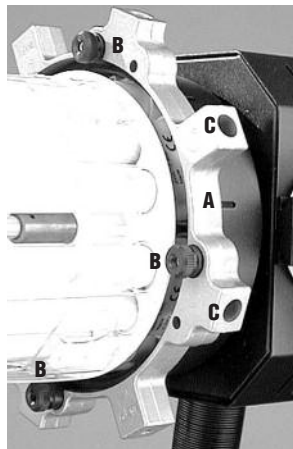
■ The locking handle can be loosened to allow the fixture to slide back & forth. This is useful to reposition the light's center of gravity, making it more stable on the stand, especially when attaching front accessories which can cause the balance to shift.



■ Whenever mounting fixture overhead, always attach safety cables between the fixture and the rail using the hole in the yoke.

Accessories

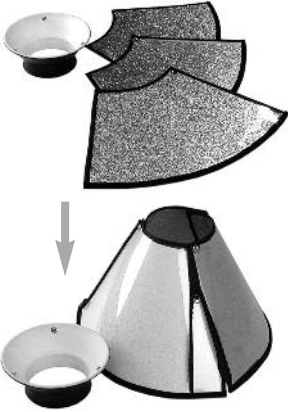
Attaching Accessories



- A Universal Rotating Speed Ring and Front Accessory Holder
- B Front Accessory Retaining Screws
- C Softbox Mounting Holes / Screw threaded accessory holes.

The LowelScandles light has a number of front attachment accessories which can be used to help vary the output and quality of the light. They attach to the installed Universal Rotating Speed Ring, either by using the 4 retaining screws on the front of the ring, or the 6 softbox mounting holes on the side of the ring. In addition, there are 2 screw threaded holes on the side of the ring (1/4-20, and 3/8-16) for additional options.

Collapsible Cone & Front Diffuser



■ The sections of the cone are made of clear plastic and come with installed reflective material, which should be suitable for most lighting purposes. Each section opens to allow color gels, diffusion or other reflective materials to be used for special purpose lighting effects.

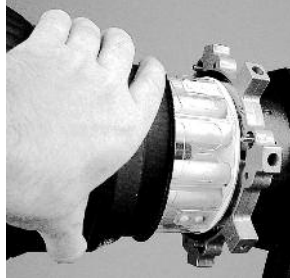
■ Assemble the Collapsible Cone by zipping the 3 sections together.



■ Attach the narrow end of the cone to the Mounting Ring by lining up the 3 snaps.



■ To attach the cone & ring to the front of the rotating speed ring, place the fixture with lamps & shield installed on a table, facing up so that it rests on its 4 rear panel support feet, or securely on a stand, facing straight up.



■ Remove the 4 plastic retaining nuts from the screw posts on the speed ring and carefully place the cone over the lamps so that its metal ring rests in



the recess of the ring. Replace the 4 plastic nuts and tighten securely.

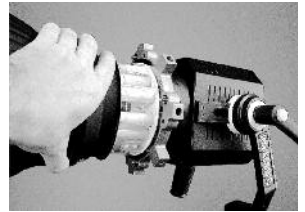
If you want additional softness, attach the front diffuser to the front of the cone reflector by collapsing the cone slightly to get the elastic of the diffuser over it. Note: diffuser reduces output by approximately 50%.

Hard Cone Reflector



■ The Hard Cone Reflector is designed for studio use. It is not collapsible. Attach the Hard Cone Reflector using the same procedure as the Collapsible Cone.

■ Place the fixture, with lamps & shield installed, on a table facing up so that it rests on its 4 rear panel support feet.



■ Remove the 4 plastic retaining nuts from the screw posts on the speed ring and carefully slide the reflector over the lamps so that its metal ring rests in the recess of the ring.

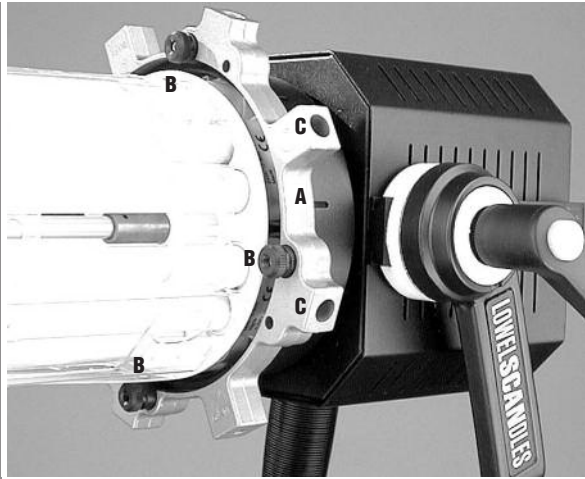


■ Replace the 4 plastic nuts and tighten securely. You can attach the Lowel Fin-S clip adjustable barndoor to the rim of the reflector for additional light control.

Chimera-style Softboxes & Lanterns



■ **Universal Rotating Speed Ring** allows attachment of all current professional softboxes & chinese-style lanterns.



- A** Universal Rotating Speed Ring and Front Accessory Holder
- B** Front Accessory Retaining Screws
- C** Softbox Mounting Holes / Screw threaded accessory holes



■ There are 8 evenly spaced blocks with mounting holes on the ring. 6 of these are for softbox attachment. There are also 2 screw-threaded holes on the ring for additional options. These holes have their size inscribed on them (1/4-20 or 3/8-16).

■ Assemble lanterns or softboxes per manufacturers instructions and attach to the speed ring by flexing the rods into the predetermined holes.

■ Once installed, rotate the speed ring to position the softbox or lantern for desired use.

Warranty, Problems, Repairs & Information

Lowel-Light Manufacturing, Inc. (Lowel) warrants that its products (other than those products which by their nature are consumed), under normal use in accordance with operating instructions, will perform to the specifications published by Lowel at the time of purchase, for the following periods, from the date of purchase by the consumer:

Five Years – With respect to stands and poles.

Two Years – With respect to lighting fixtures only.

One Year – With respect to all other products (other than those products which by their nature are consumed).

Lowel warrants that its products which by their nature are consumed, such as gels and Gaffer-tape, under normal use in accordance with instructions for use, will perform to the specifications published by Lowel at the time of purchase. In the event of a defect reported by the consumer within the applicable time period, if any, Lowel will, at its option, replace or repair the defective merchandise at no charge to the consumer for either parts or labor.

The consumer should be aware that Lowel does not manufacture lamps and therefore makes no warranty with respect to these products. However, the warranty of the manufacturer of such products, if any, shall be assigned to the consumer if permitted by such manufacturer.

Repairs and Replacement Parts

If Lowel shall; upon the request of the consumer, install, alter, modify, or repair any Lowel product, or component thereof, then Lowel shall warrant such product or component from the date of such installation, alteration, modification, or repair, in accordance with the specifications published by Lowel at such date, for the applicable

time period, if any, for such product or component, and under the conditions, limitations, and procedures set forth in this warranty. Lowel will not be responsible for any loss, damage or expense of any kind resulting from the installation, alteration, modification, or repair of any Lowel product by any entity other than Lowel.

Procedure

In order to make a claim under the above warranty, the consumer must, within the applicable time period, if any, bring or send, postage paid, the defective product and proof of purchase (or, if applicable, proof of installation, alteration, modification, or repair by Lowel) to the consumer's Lowel dealer or to the Lowel factory at 90 Oser Avenue, Hauppauge, N.Y. 11788

Warranty Exclusions

THE WARRANTY SET FORTH ABOVE IS THE ONLY WARRANTY MADE BY LOWEL WITH RESPECT TO LOWEL PRODUCTS AND LOWEL DISCLAIMS ALL WARRANTIES OF MERCHANTABILITY AND FITNESS FOR A PARTICULAR PURPOSE AND ANY LIABILITY WITH RESPECT TO SAME WHETHER IN CONTRACT, TORT OR OTHERWISE. IN NO EVENT SHALL LOWEL BE LIABLE FOR LOST PROFITS, OR ANY CONSEQUENTIAL OR INCIDENTAL DAMAGES INCURRED BY THE CONSUMER.

Some states do not allow limitations on how long an implied warranty lasts, and some states do not allow the exclusion or limitation of incidental or consequential damages, so the above limitation may not apply to you.

General

This warranty gives you specific legal rights, and you may also have other rights which vary from state to state.

Repairs, problems, suggestions

and requests for brochures/catalogs, instructions and parts lists can be handled through your Authorized Lowel Dealer / Distributor or directly through Lowel. Electrical repairs should be made only by Lowel or by a qualified electrician.

For further information, contact us:

Lowel-Light Manufacturing, Inc.

90 Oser Avenue
Hauppauge, N.Y. 11788

Call: 800 645-2522

e-mail: info@lowel.com

web: www.lowel.com

LowelScandles is a trademark of
Lowel-Light Manufacturing, Inc.

LowelScandles was designed
by Gary Register

© 2010 Lowel-Light Manufacturing, Inc. 111

Lowel-Light Manufacturing, Inc.
90 Oser Avenue, Hauppauge, N.Y. 11788
Call: 800 645-2522
e-mail info@lowel.com
www.lowel.com

lowel  [®]

TIFFEN

LOWELSCANDLES