

Warnings

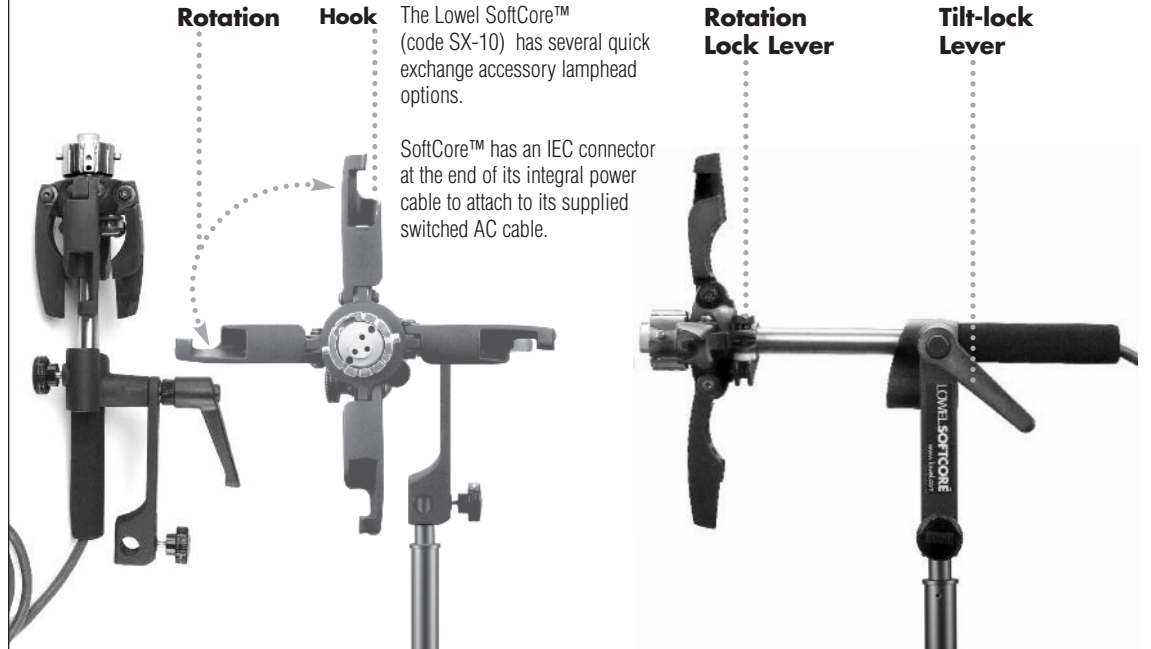
The Lowel SoftCore™ is a professional lighting system. Read these instructions and lamp manufacturers warnings before operating.

- **Not for household use.** Use only for photographic lighting (video & film imaging) purposes.
- **Do not leave SoftCore unattended.**
- **Do not exceed maximum rated wattage** for unit, or lampheads.
- **Use maximum 100 Watt lamps.**
- **Consult chart for proper stand choice** when changing lampheads, lamps, & softboxes.
- **Always unplug unit and allow to cool** before relamping, changing lampheads, or storing.
- **Tighten lamps securely in lamp socket** by holding lamp at plastic base.
- **Make certain that lamp voltage** matches power source voltage. The units use lamps of different voltages (example: never connect a 120 volt lamp to a 230 volt source).
- **Do not use near standing water** or in damp locations.
- **Never bypass plug's ground pin.**
- **Do not interfere with unit's ventilation.**
- **Make sure proper power cable** is attached, for voltage being used.
- **Always use Safety Cables,** when mounting SoftCore overhead.
- **Always use a stand with sufficient support** when using larger lampheads & softboxes.
- **Do not attempt to open unit,** no user serviceable parts inside.
- **Unplug before cleaning.** Do not operate while fixture is damp.
- **Always operate Softcore with softbox attached.** Do not use a softbox too small for the lamps installed (example: do not use a softbox where the lamp is in contact with the softbox or where the softbox applies any pressure to the lamp).

Fluorescent Warnings

- **Avoid looking directly at the tubes** for extended periods of time.
- **Fluorescent tubes contain highly poisonous mercury.**
- **In the event of lamp breakage,** avoid contact with broken pieces, and dispose of properly.
- **Read lamp manufacturers information fully.**

Supplied Components



Setting Up SoftCore™

SoftCore™ has 4 rotating fold-out arms to hold conventional softbox attachments (video or strobe). The 4 Hook Arm Connectors are specially designed to make softbox attachment quick & convenient. Familiarize yourself with the above details before setting up. The setup process is slightly different, depending on whether your softbox has a front diffuser that is removable, or permanently attached. We will first show installation with a removable diffuser softbox.

As shown above, attach SoftCore™ to 5/8" stand stud and tighten stand locking knob. Important: the Tilt-lock Lever should be on the right side if viewed from the front. Point the Softcore downward slightly and tighten Tilt-lock Lever. Fold out the 4 Hook Arm Connectors, and rotate them so they are oriented in an "X" position. Your softbox should have its 4 flexible rods installed in its 4 corner guides before attaching to the SoftCore.

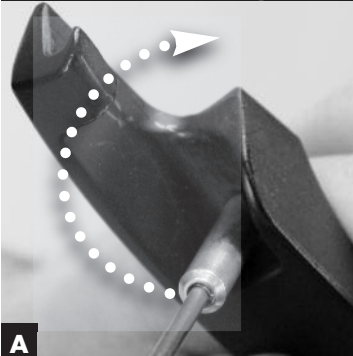
SoftCore should be unplugged for setup.



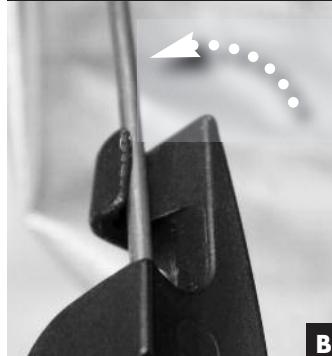
Hold Firmly



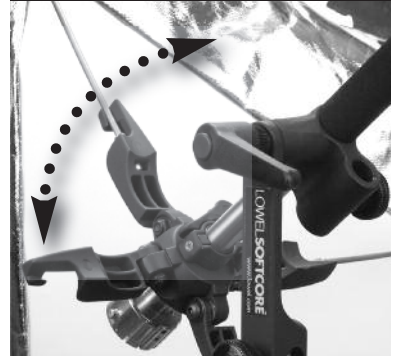
Rod into Arm Receptacle



Flex Around to Hook



Rotate to Attach Next Arm



Having rotated the arms to an "X" orientation, begin by attaching the stud end of one of the softbox rods using the technique shown above (A & B). Holding the Arm firmly, place the stud end of a rod into the 'cup' of the Hook Arm receptacle from the front, and then flex the rod around the hook from behind so that it rests inside the hook.

Rotate the arms slightly for convenience as you attach the remaining 3 rods to arms in the same manner. If needed during attachment, you can loosen or tighten the rotation of arms with the Rotation Lock lever, behind the arms. (Note: tightness of the Rotation Lock can be adjusted with the screw-threaded nut on its underside).

Rotation Lock & Adjustment



Softbox Attached



With a little practice, installation becomes easy.

Completed Rod installation should look as shown from the front of the softbox (bottom Right). Release the Rotation Lock lever to rotate the softbox, if needed.

FLO-X3 Lamphead

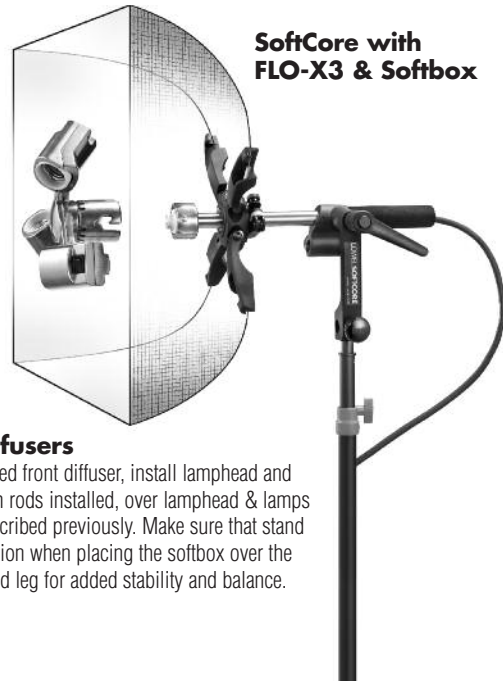


Switch



From the front of SoftCore/softbox, with the diffuser removed, install the unlamped FLO-X3 lamphead by lining up the hook-shaped cutouts on its sides with the pins on the sides of the center base of the SoftCore. Hold light / stand for stability, as you push in & twist lamphead in a clockwise direction to lock it in place. Note: the pins and cutouts are 2 different sizes, and will only fit one way.

Install the 3 lamps carefully, holding each by its large plastic base as they are tightened. Each lamp socket is individually switched on the lamphead.



SoftCore with FLO-X3 & Softbox

When complete, install front diffuser on Softbox, using its velcro edges.

Attach power cord to SoftCore, plug in, and turn on the cable switch. Control individual lamps with their switches.

For Softboxes With Permanent Front Diffusers

To set up SoftCore™ using a softbox with a permanently mounted front diffuser, install lamphead and lamps before attaching the softbox. Carefully place softbox, with rods installed, over lamphead & lamps from the front of the SoftCore. Install rods in same order as described previously. Make sure that stand fittings & Tilt-lock Lever are tightly secured. Also use extra caution when placing the softbox over the lamphead and lamps. Center the lamphead & lamps over a stand leg for added stability and balance.

FLO-X1 Lamphead

The FLO-X1 lamphead has a single Edison socket and is switchless. Used with the SoftCore, it holds a single screw-threaded fluorescent lamp, for use with smaller softboxes where a lower output from a closer range is needed.



Installing FLO-X1

Use the same basic steps as if installing the FLO-X3. Make sure unit is unplugged. (If your softbox has a removable front diffuser, attach the softbox first.)



1 Push & twist the FLO-X1 head to install on the SoftCore.



2 Carefully install fluorescent lamp by holding it at its base.



3 Softboxes with attached front diffusers can be installed now. 4 Attach power cord to SoftCore, plug in, and turn on the cable switch.

FLO-X5 Lamphead



The FLO-X5 lamphead has 5 individually switched Edison sockets. It is designed to be used with larger softboxes & stands, and SoftCore will need to be counterbalanced using a Lowel Half Pole and Weight for stability on the light stand.

Use the same basic steps to install the softbox as shown with the FLO-X3, on page 1.

Make sure unit is unplugged, and SoftCore is securely mounted on stand. Orient the stand so a leg is centered underneath the front end of the SoftCore.

Tighten the Tilt-lock lever on the side, to prevent light from falling forward when larger softbox & lamphead are attached. (If your softbox has a removable front diffuser, attach the softbox first.)

For this example, we will install using a larger style softbox with attached diffuser.



1 Push & twist the FLO-X5 head to install on the SoftCore.



2 Carefully install all fluorescent lamps by holding them at their base.



3 Insert 5/8" stud from Half Pole fully into receptacle at base of SoftCore.



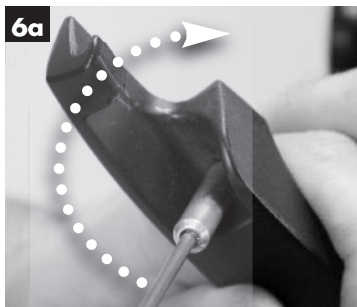
4 Install Weight fully into back end receptacle of Half Pole. Tighten Locking Knob on back end of Half Pole.



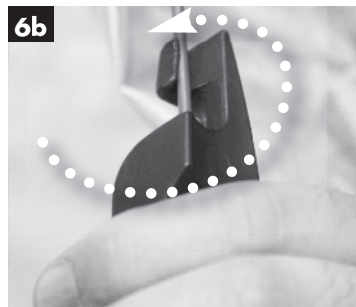
5 First slightly loosen Tilt Lock on SoftCore (arrow). Then loosen extension collar lock on Half Pole. Extend Half Pole carefully to get a working balance of the SoftCore, lamphead/lamps, and Pole counter-balance on stand. Tighten Tilt Lock on SoftCore, and lock Collar Knob on Half Pole. *Note: be prepared to adjust balance after adding the softbox.*



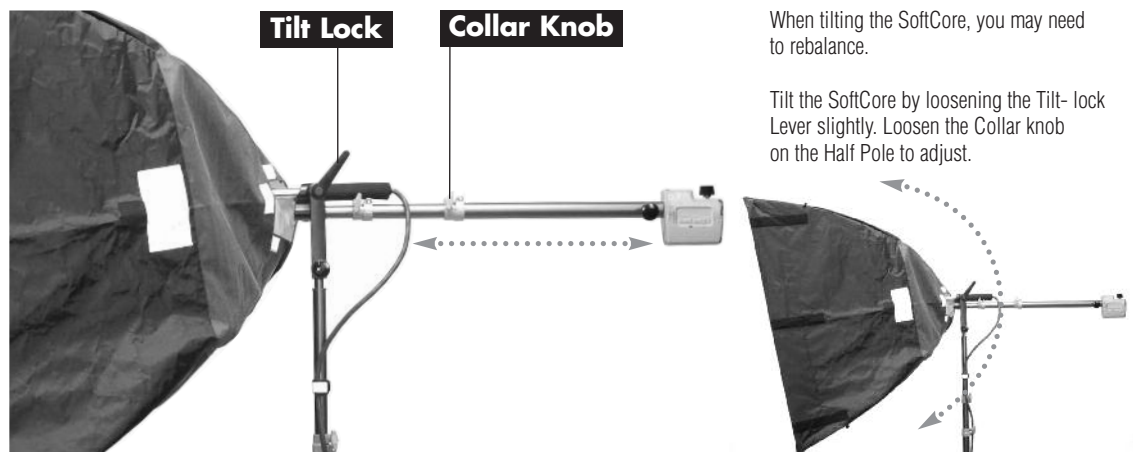
Switches



6a Install Softbox as previously described in **Setting Up**. Use extreme caution when installing softbox housing & rods over the glass fluorescent lamps.



Tilting the SoftCore



When tilting the SoftCore, you may need to rebalance.

Tilt the SoftCore by loosening the Tilt-lock Lever slightly. Loosen the Collar knob on the Half Pole to adjust.

Important Information Regarding SoftCore Lampheads

- SoftCore shares some fluorescent lampheads with the Lowel Rifa eXchange System.
- Other lampheads for Rifa eXchange use tungsten-halogen lamps and will not fit on the SoftCore.
- If you purchase accessory lampheads for SoftCore, they may come with instructions for use with Rifa eX fixtures.
- Disregard the lamphead & lamp info in those instructions and refer to the below information instead.

Lamps & Lamp/Beam Data

FLO-X1 – Single socket, no switch (switch is in AC cord)

Lamps – Fluorescent, Edison Screw-thread



Lamp/Beam Data

Lamp Code	Volts	Watts	°K	Avg Life	FC (lux) 5'	FC (lux) 10'
E1-27	120	27	5500	8000 hr	8 (91)	3 (29)
E1-27E	230	25	5500	8000 hr	9 (97)	3 (31)
E1-80	120	80	5500	8000 hr	23 (246)	7 (77)
E1-80E	230	80	5500	8000 hr	23 (251)	8 (81)

FLO-X3 – 3 sockets, with switches

Lamps – Fluorescent, Edison Screw-thread



Lamp/Beam Data (with all 3 Lamps Lit)

Lamp Code	Volts	Watts	°K	Avg Life	FC (lux) 5'	FC (lux) 10'
E1-27	120	27	5500	8000 hr	23 (247)	7 (77)
E1-27E	230	25	5500	8000 hr	24 (256)	7 (81)
E1-80	120	80	5500	8000 hr	59 (632)	18 (189)
E1-80E	230	80	5500	8000 hr	61 (656)	18 (194)

FLO-X5 – 5 sockets, with switches

Lamps – Fluorescent, Edison Screw-thread



Lamp/Beam Data (with all 5 Lamps Lit)

Lamp Code	Volts	Watts	°K	Avg Life	FC (lux) 5'	FC (lux) 10'
E1-27	120	27	5500	8000 hr	40 (429)	12 (129)
E1-27E	230	25	5500	8000 hr	42 (448)	14 (150)
E1-80	120	80	5500	8000 hr	92 (997)	29 (309)
E1-80E	230	80	5500	8000 hr	94 (656)	31 (331)

Problems, info, repairs, etc.

Lowel equipment and kits are sold through authorized Lowel Dealers and, in some countries, Authorized Lowel Distributors. Repairs, problems, suggestions, and requests for brochures, instructions, parts lists may be handled by your authorized Lowel Dealer (Distributor) or directly with Lowel. Electrical repairs should be made only by Lowel or a qualified electrician. Lowel SoftCore Patent Nos.: 6,176,598, 7,416,316.

Lowel-Light Manufacturing, Inc.

90 Oser Avenue, Hauppauge, N.Y. 11788

Call: 800 645-2522 or 631 273-2500

Fax: 631 273-2557

e-mail: info@lowel.com

www.lowel.com