

Lowel Prime LED

Strong Output. Wide Beam Angle.

LOWEL Prime LED™

New Product Sheet



Lowel is proud to present a family of 3 powerful LED fixtures, designed to bring studio quality to full fledged production facilities, and short-term location setups as well.

Lowel Prime™ LED's are brighter than many similarly sized & priced production LED's.

Their wider 50° beam angle makes their output more usable, and their low Wattage consumption cuts energy costs.



Features

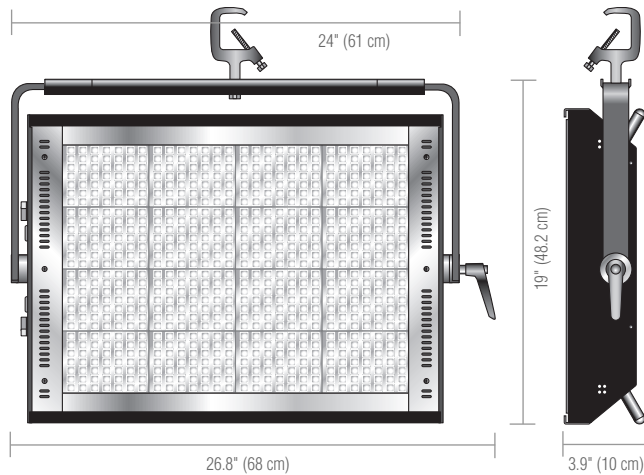
- All models available in Daylight or Tungsten color, with high Color Rendering Index - 91+
- DMX & manually dimmable, with no noticeable color shift
- All models auto-set to 90-240VAC
- Low Wattage models
- Quiet fanless operation
- Supplied with hanging C-clamp, 5/8" stand mount, and applicable AC cables for studio or location use.

Accessories

- Barn Door Softening Set
- Honeycomb Grids



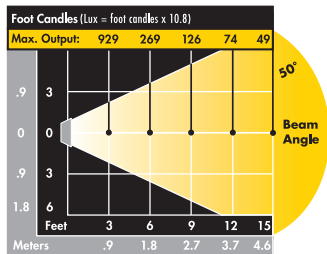
Prime LED 800 (Tungsten or Daylight color)



Codes: PRM-800TU (Tungsten)
PRM-800DA (Daylight)
Weight: 25.1 lbs (11.4kg)
Wattage Draw: 210 W

Supplied with: Gel Frame, Safety Cable, Standard C-Clamp, 5/8" Female Stand Fitting, switched T1-80 AC Cable, and unswitched T1-808 AC Cable.

Other mounting devices & AC cable connection options are available.



Color Temperature:
3300°K (Tungsten model)
5600°K (Daylight model)
Beam Angles: points at which intensity drops to 50% of maximum.
Foot Candle readings taken at center of beam, with Minolta CL-200 meter.

Readings taken with Tungsten model.

Lowel Prime Accessories

Prime Barndoor Softening Set

Due to the 'multi point-source' nature of most LED fixtures, it is common to have an undesired multi-shadow effect, when using barndoors to trim the beam. This set includes a 4 way barndoor, subtle diffusion gel, and Gel-jawz clips, to minimize multi-shadow, while still allowing a visible barndoor cut.

Includes: 4 way adjustable Barndoor, Prime Lite Diffusion Gel, Lowel Gel-jawz (4)

Codes: PRM-820 (Model 800)
PRM-420 (Model 400)
PRM-220 (Model 200)

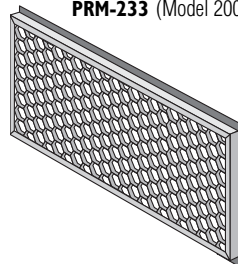


Honeycomb Grids

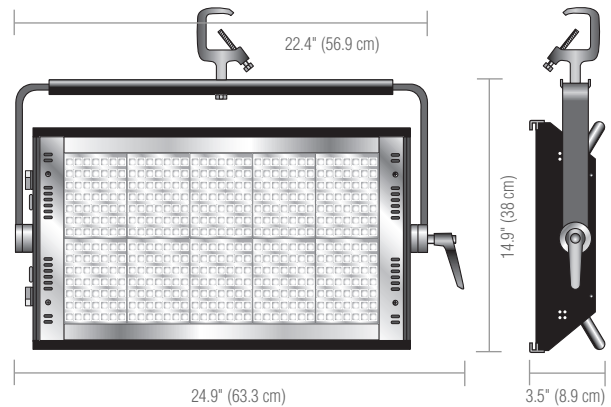
Honeycomb grids control the spill of the light, by attaching to the front of the fixture. The grids are available in 20 or 30 degree dispersions. Honeycomb Grids cause some loss of light output.

20° Honeycomb
Output Loss - aprox 54%
Codes: PRM-832 (Model 800)
PRM-432 (Model 400)
PRM-232 (Model 200)

30° Honeycomb
Output Loss - aprox 35%
Codes: PRM-833 (Model 800)
PRM-433 (Model 400)
PRM-233 (Model 200)



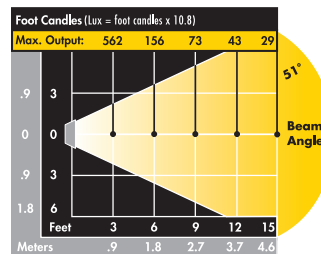
Prime LED 400 (Tungsten or Daylight color)



Codes: PRM-400TU (Tungsten)
PRM-400DA (Daylight)
Weight: 17.5 lbs (7.9 kg)
Wattage Draw: 135W

Supplied with: Gel Frame, Safety Cable, Standard C-Clamp, 5/8" Female Stand Fitting, switched T1-80 AC Cable, and unswitched T1-808 AC Cable.

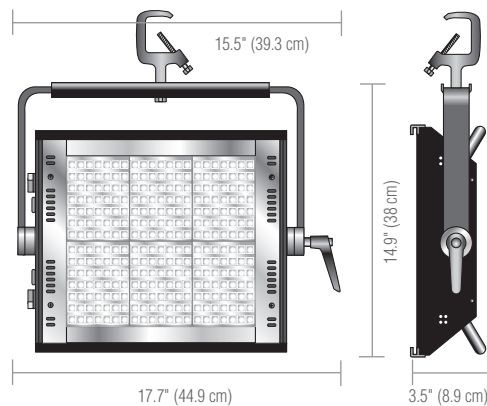
Other mounting devices & AC cable connection options are available.



Color Temperature:
3300°K (Tungsten model)
5600°K (Daylight model)
Beam Angles: points at which intensity drops to 50% of maximum.
Foot Candle readings taken at center of beam, with Minolta CL-200 meter.

Readings taken with Tungsten model.

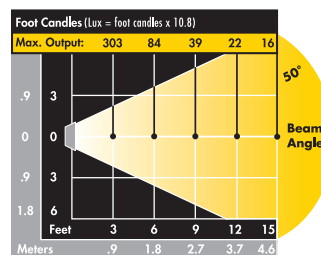
Prime LED 200 (Tungsten or Daylight color)



Codes: PRM-200TU (Tungsten)
PRM-200DA (Daylight)
Weight: 13.5 lbs (6 kg)
Wattage Draw: 85W

Supplied with: Gel Frame, Safety Cable, Standard C-Clamp, 5/8" Female Stand Fitting, switched T1-80 AC Cable, and unswitched T1-808 AC Cable.

Other mounting devices & AC cable connection options are available.



Color Temperature:
3300°K (Tungsten model)
5600°K (Daylight model)
Beam Angles: points at which intensity drops to 50% of maximum.
Foot Candle readings taken at center of beam, with Minolta CL-200 meter.

Readings taken with Tungsten model.